



# TANK CLEANING NOZZLE CATALOGUE

INNOVATIVE GLOBAL SOLUTIONS ODC®

[www.oilersdepot.com](http://www.oilersdepot.com)

[Info@oilersdepot.com](mailto:Info@oilersdepot.com)

[@Oilersdepot](https://www.instagram.com/Oilersdepot)



# ODC 6

## HIGH FLOW SERIES



### PERFORMANCE DATA

Material:	316L Stainless Steel, PEEK, EPDM
Spray Angle:	360°
Max. Cleaning Diameter:	21.5 ft (6.5 m)
Max. Rinsing Diameter:	29.5 ft (9 m)
Operating Pressure:	30-1,015 psi (2-70 bar)
Max. Pressure:	1,015 psi (70 bar)
Recommended Operating Pressure:	75-725 psi (5-50 bar)
Min. Tank Opening:	3 in. (75 mm)
Max. Ambient Temperature:	Standard 100°C (212°F) HT 200°C (392°F)
Max. Operating Temperature:	Standard 60°C (140°F) HT 120°C (248°F)
Weight:	6.6 lbs (3 kg)
Connection:	3/4 in. NPT / BSP
Installation:	Operation in any direction is possible

### Design Features:

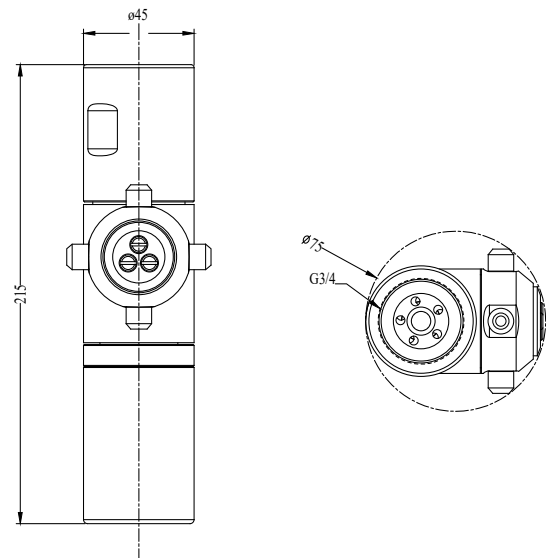
The ODC Series 6 rotating tank cleaner is the absolute best option for situations that require the highest of cleaning performance while fitting into tight spaces. High pressure range, high flow and an optimized cleaning pattern ensure your containers are always ready for the next task.

- 1 **Durable** low maintenance stainless steel construction
- 2 **Optimized mechanical design** creates a water jet with greater impact
- 3 Three nozzle sizes available (see chart below)
- 4 Two or Four nozzle version available
- 5 Four specialized options available, see list below
- 6 **Thoroughly cleans the entire tank interior (360°)**
- 7 Lubricated and driven by the cleaning fluid
- 8 **Excellent sealing design limits leakage** which saves more **cleaning fluid**
- 9 Designed with a separate gearbox making it **very difficult to clog**

### Applications:

This model is suitable for cleaning small to medium sized vessels and storage tanks. It is commonly used in the beer, oil & gas, fuel ethanol, chemical, marine, and industrial fermentation industries.

### Drawings:





# ODC 6

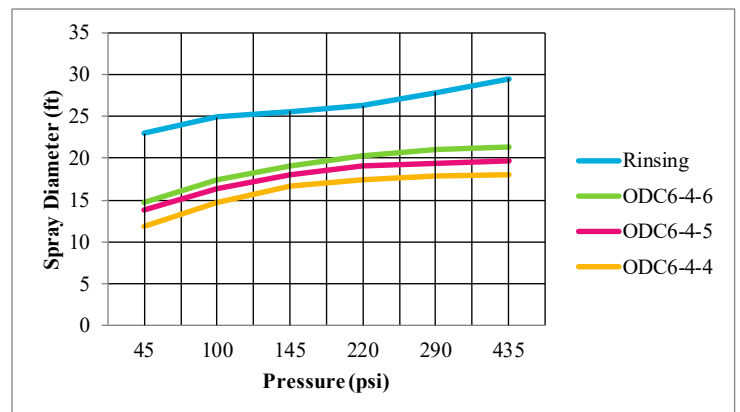
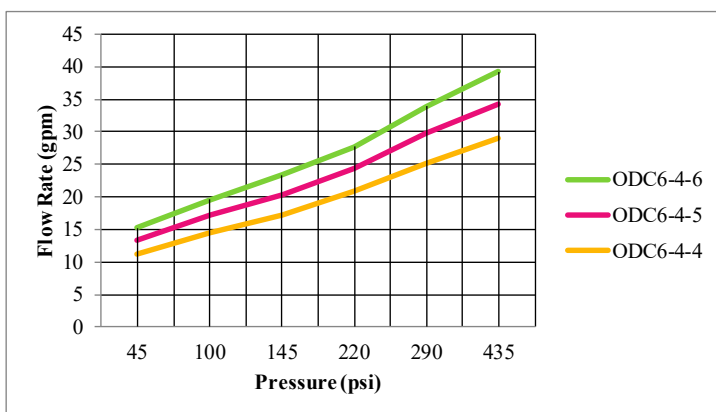
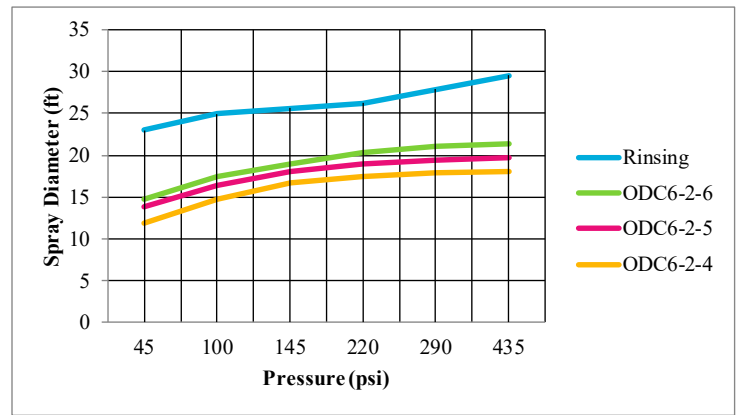
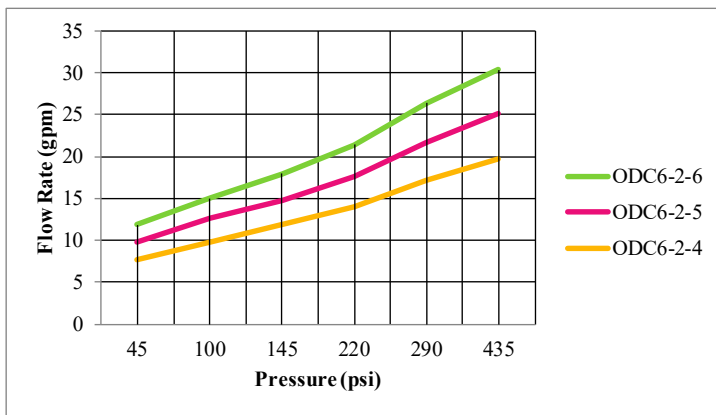
## PRODUCT IMAGES



## OPERATION

This tank cleaner provides a powerful and thorough 360-degree cleaning pattern using two nozzles to blast the tank walls and wash all surfaces. A gear reducer is driven by the cleaning fluid through the turbine rotation to create a full 3-dimensional spinning spray pattern with the machine nozzles spinning in two planes.

The cycle time is approximately 6-12 minutes depending on pressure used. Required fluid volume varies with nozzle diameter, pressure and cycle time; see below for flow rate graphs.



# CONTACT US

---



US Phone Number  
+1 281-369-8495

Canadian Phone Number  
+1 587-713-0448



[info@oilersdepot.com](mailto:info@oilersdepot.com)



112-53305 Range Road 280  
Spruce Grove, AB T7X 3V7

[www.oilersdepot.com](http://www.oilersdepot.com)