



TANK CLEANING NOZZLE CATALOGUE

INNOVATIVE GLOBAL SOLUTIONS ODC®

www.oilersdepot.com

Info@oilersdepot.com

[@Oilersdepot](https://www.instagram.com/Oilersdepot)



ODC SJ

HIGH FLOW SERIES



PERFORMANCE DATA

Material:	316L Stainless Steel, PEEK, EPDM
Spray Angle:	360°
Max. Cleaning Diameter:	6.5 ft (2 m)
Operating Pressure:	30-435 psi (2-30 bar)
Max. Pressure:	435 psi (30 bar)
Recommended Operating Pressure:	45-290 psi (3-20 bar)
Min. Tank Opening:	2 in. (50 mm)
Max. Operating Temperature:	95°C (203°F)
Connection:	3/4 in. NPT / BSP
Installation:	Operation in any direction is possible

Design Features:

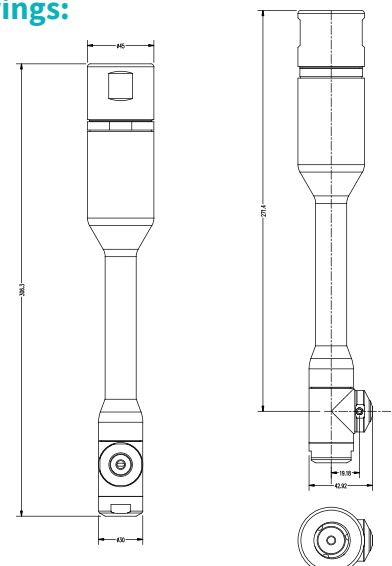
The ODC SJ series of rotating tank cleaners are designed to give the best possible cleaning performance on small diameter tanks. They incorporate a unique steady flow setup which keeps the water concentrated, improving cleaning performance even while fluid volumes remain low.

- 1 **Durable** low maintenance stainless steel construction
- 2 **Thoroughly cleans the entire tank interior (360°)**
- 3 Three sizes available (see table below)
- 4 Two or Four nozzle version available
- 5 Lubricated and driven by the cleaning fluid
- 6 Utilizes a dynamic seal to **decrease leakage and save cleaning fluid**
- 7 Designed to make it **very difficult to clog**

Applications:

These devices are suitable for cleaning of small containers such as IBCs, oak barrels, beer barrels, 200L iron drums, etc. commonly used in, brewing, wine, beverage, and IBC transportation industries.

Drawings:





ODCSJ

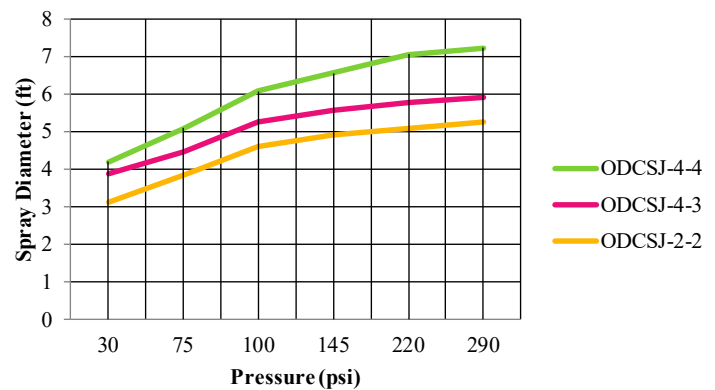
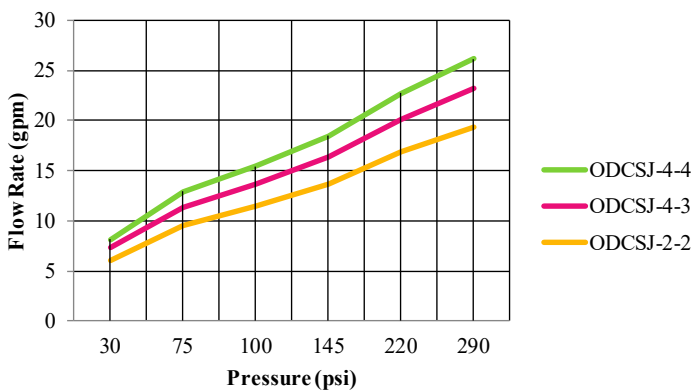
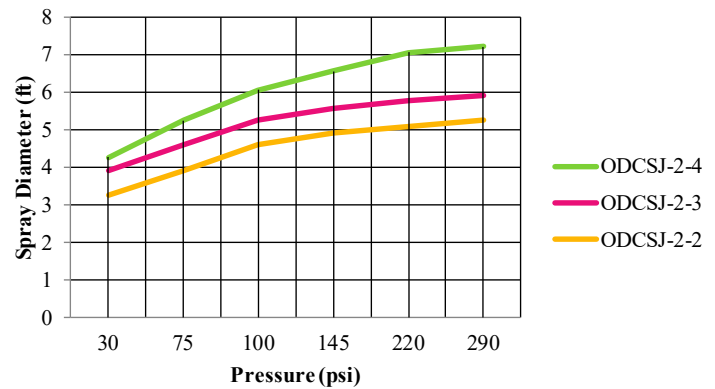
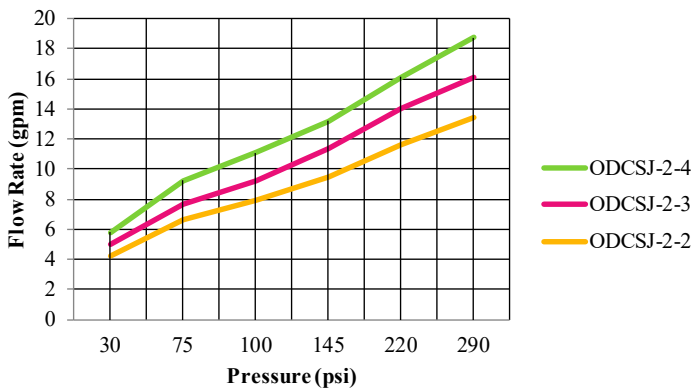
PRODUCT IMAGES



OPERATION

This tank cleaner provides a powerful and thorough 360-degree cleaning pattern using two nozzles to blast the tank walls and wash all surfaces. A gear reducer is driven by the cleaning fluid through the turbine rotation to create a full 3-dimensional spinning spray pattern with the machine nozzles spinning in two planes.

The cycle time is approximately 8-12 minutes depending on pressure used. Required fluid volume varies with nozzle diameter, pressure, number of nozzles and cycle time; see below for flow rate graphs.



CONTACT US



US Phone Number
+1 281-369-8495

Canadian Phone Number
+1 587-713-0448



info@oilersdepot.com



112-53305 Range Road 280
Spruce Grove, AB T7X 3V7

www.oilersdepot.com